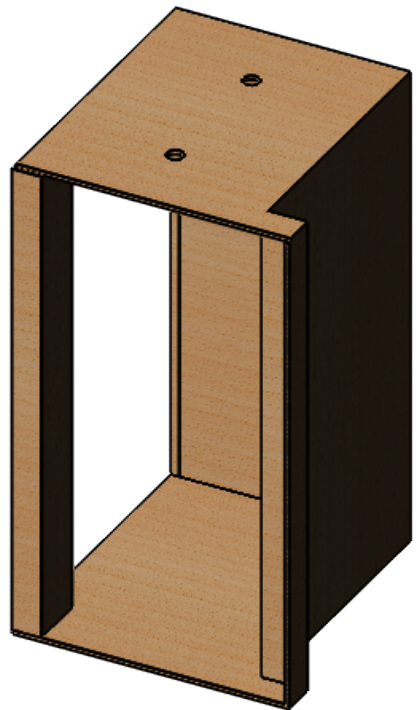


**Standard 4254R90 Package Specs:**

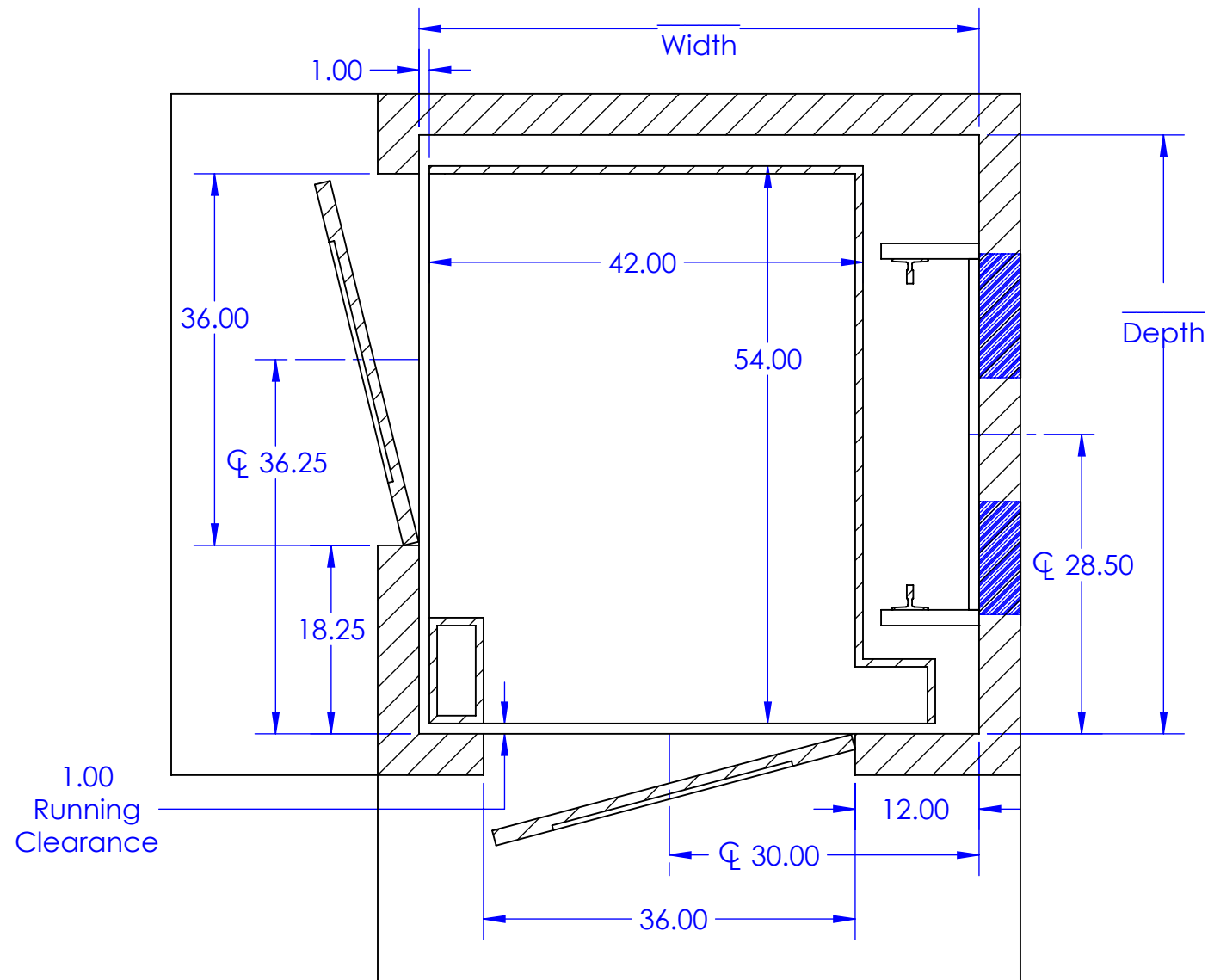
- Rails stack on rear side of elevator shaft
- 42" wide x 54" Deep Platform Size, 80" Height
- 3/4" finished floor allowance, 3/4" birch subfloor
- Aluminum platform
- 2 LED cab lights, automatic on/off
- Brushed aluminum fixtures
- Emergency Phone
- Standard Birch wall finish
- 2 White accordion gates
- Honeywell door interlocks
- Swing doors and jambs by others.

**Available Options:**

- 2 Clear accordion gates
- 4 LED lights
- 2 Automatic Gate Operators
- Battery Lowering w/ Emergency Lighting
- Flush mount door jamb kit

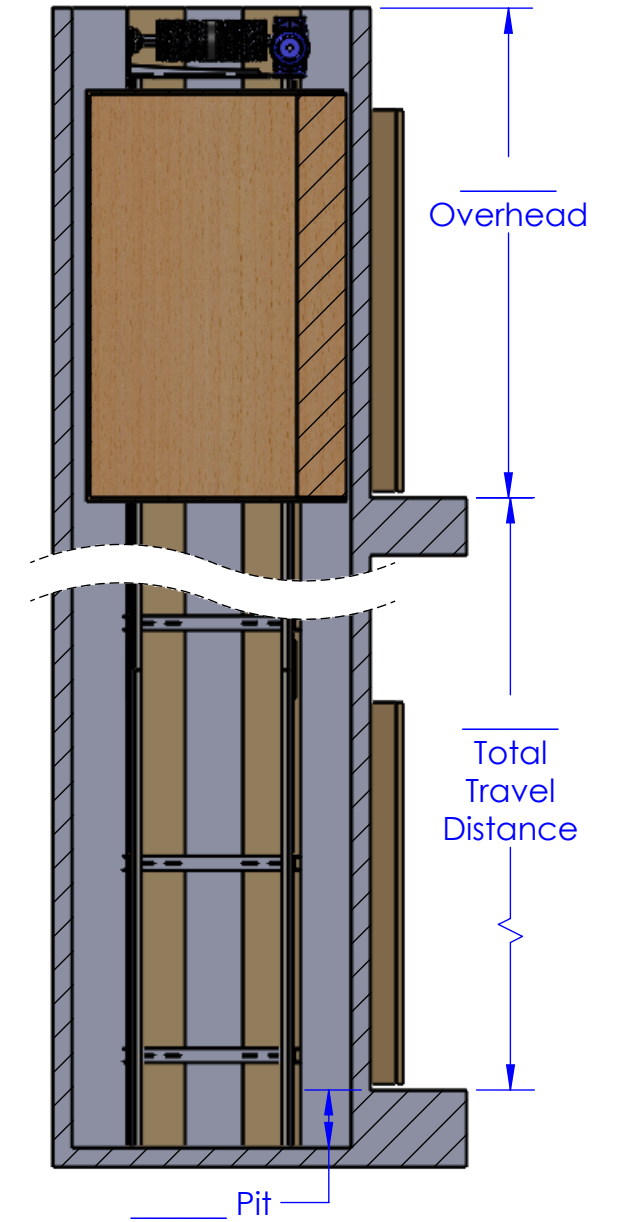


Customer Name:



Additional Notes

Number of Landings:  
 Door Swings: LH  
 RH  
 Cab Height:  
 Cab Finish:  
 Cab Style:



**Elevator Shaft Requirements:**

Pit: 12"  
 Width: 54" Min 56"Max  
 Depth: 58" Min

**Minimum Overhead Clearance:**

| Cab | Overhead |
|-----|----------|
| 80" | 102"     |
| 84" | 106"     |
| 95" | 117"     |



- All swing doors must comply with ASME 17.1, National Elevator Code, 3 x 5 rule or 3/4" x 3" as required by local jurisdiction.
- Minimum shaft sizes shown.
- Consult factory for changes to door swing or offset location.
- See Rail Bracket Detail sheet for anchoring and support details.
- See Electrical Requirement sheet for electrical requirements.
- All dimensions are inside clear finished dimensions.

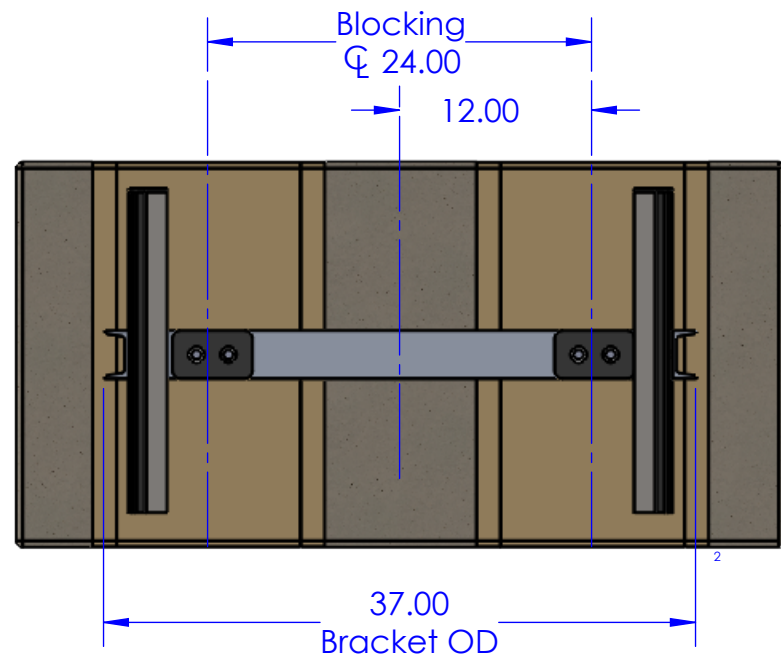
**DRAWING NOT TO SCALE**

PROPRIETARY AND CONFIDENTIAL

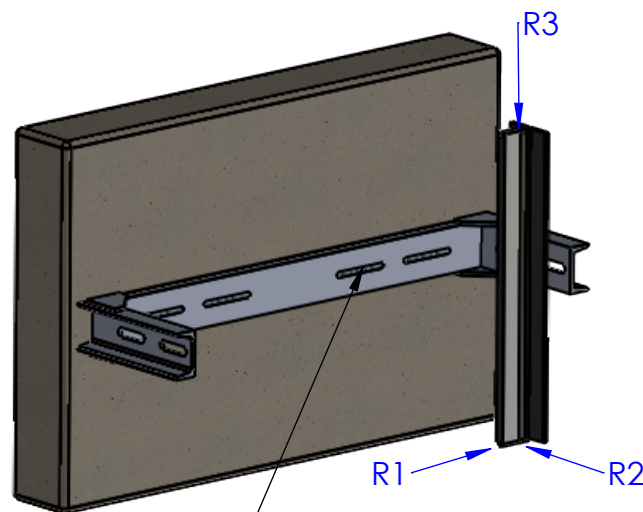
THE INFORMATION CONTAINED IN THIS DRAWING IS THE SOLE PROPERTY OF PRECISION LIFT INDUSTRIES, LLC. ANY REPRODUCTION IN PART OR AS A WHOLE WITHOUT THE WRITTEN PERMISSION OF PRECISION LIFT INDUSTRIES, LLC IS PROHIBITED.

| NAME  | DATE     | PROJECT NAME     |
|---|----------|------------------|
| Filed By  |          |                  |
| By signing below, you are authorizing this job to be released for production as listed. |          | PROJECT LOCATION |
| Release for production  |          | COMMENTS:        |
| PO#   |          |                  |
| SIZE  | DWG. NO. | REV.             |
| A   | 4254R90  |                  |
| SCALE 1:16  |          | SHEET 17 OF 2    |

# Rail Bracket Detail Sheet

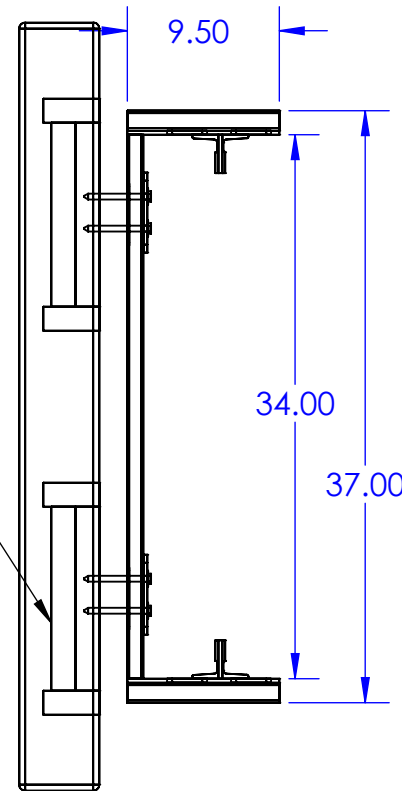


Double stacked 2x12 with 2x4 end caps running the full vertical length of the rail support wall.



ATTACH VIA 3/8 X 4" LAG BOLTS FOR WOOD OR 3/8 x 5" WEDGE ANCHOR FOR CONCRETE

| RAIL FORCES |          |
|-------------|----------|
| R1          | 105 LBS  |
| R2          | 250 LBS  |
| R3          | 3750 LBS |



## ELITE 9500 ELEVATOR Specifications

|                         |  |
|-------------------------|--|
| MODEL                   | WD-9500  |
| CAPACITY                | 950 LBS  |
| SPEED                   | 40 FPM (Nominal)   |
| DRIVE                   | 3 HP GEARMOTOR W/BRAKE, 220VAC, WINDING DRUM   |
| SAFETIES                | INSTANTANEOUS TYPE "A" SLACK CABLE   |
| DOOR LOCKS              | ELECTROMECHANICAL, HONEYWELL RELIALIGN INTERLOCKS  |
| ELECTRICAL REQUIREMENTS | 110VAC 15AMP DEDICATED CIRCUIT FED THROUGH DISCONNECT<br>220VAC 30AMP DEDICATED CIRCUIT FED THROUGH DISCONNECT |
| CONTROL SYSTEM          | PLC CONTROLLER, VFD MOTOR CONTROL, OPTICAL SENSOR LANDING SYSTEM   |

### GENERAL NOTES

MANUFACTURED IN COMPLIANCE WITH ASME A17.1.5.3, NATIONAL SAFETY CODE FOR ELEVATORS AND ESCALATORS AND NEC

### Work By Others

- PLUMB, SQUARE AND LEGAL HOISTWAY BUILT TO MATCH SHOP DRAWINGS, WITH ADEQUATE SUPPORT AND DOOR OPENING IN LINE.
- 220vac, 30 AMP DEDICATED CIRCUIT, FED THROUGH LOCKABLE FUSABLE DISCONNECT
- 120VAC, 15 AMP DEDICATED CIRCUIT, FED THROUGH LOCKABLE FUSABLE DISCONNECT (DISCONNECTS MUST BE ADJACENT TO ELEVATOR CONTROLLER LOCATION)
- DEDICATED TELEPHONE LINE LOCATED ADJACENT TO ELEVATOR CONTROLLER

ELEVATOR HOISTWAY REQUIREMENTS SUBJECT TO LOCAL JURISDICTION



- All swing doors must comply with ASME 17.1, National Elevator Code, 3 x 5 rule or 3/4" x 3" as required by local jurisdiction.
- Minimum shaft sizes shown.
- Consult factory for changes to door swing or offset location.
- See Rail Bracket Detail sheet for anchoring and support details.
- See Electrical Requirement sheet for electrical requirements

### DRAWING NOT TO SCALE

#### PROPRIETARY AND CONFIDENTIAL

THE INFORMATION CONTAINED IN THIS DRAWING IS THE SOLE PROPERTY OF PRECISION LIFT INDUSTRIES, LLC. ANY REPRODUCTION IN PART OR AS A WHOLE WITHOUT THE WRITTEN PERMISSION OF PRECISION LIFT INDUSTRIES, LLC IS PROHIBITED.

|   |            |          |                  |
|---|------------|----------|------------------|
| Filed By  | NAME       | DATE     | PROJECT NAME     |
| KSB   |            |          |                  |
| By signing below, you are authorizing this job to be released for production as listed. Engineering will review dimensions and generate a FINAL APPROVED Drawing to scale and you will receive a job confirmation letter. |            |          | PROJECT LOCATION |
| Release for production  |            |          | COMMENTS:        |
| PO#   | SCALE 1:16 | DWG. NO. | REV.             |
|   |            | A        |                  |
|   |            |          | SHEET 2 of 2     |